



SCOUTusb

Installation guide



Specifications

Part Numbers

	SCOUTusb 1.1	SCOUTusb 2.0
2 port KVM Switch	1011-02UAK	1012-02UAK
4 port KVM Switch	1011-04UAK	1012-04UAK

Package Contents

1011-02UAK	1011-04UAK	1012-02UAK	1012-04UAK
2 x Combi Cable Sets	4 x Combi Cable Sets	2 x Combi Cable Sets	4 x Combi Cable sets
1 x Power Adaptor	1 x Power Adaptor	1 x Power Adaptor	1 x Power Adaptor
1 x Flash Upgrade Cable	1 x Flash Upgrade Cable	1 x Flash Upgrade Cable	1 x Flash Upgrade Cable

Physical Properties

	Height	Width	Depth	Unit Weight
2 Port	4.5 cm	13.0 cm	13.7 cm	0.75 kg
4 Port	4.5 cm	21.0 cm	13.5 cm	1.00 kg

Operation and Storage parameters

Operating Temperature:	0~40° C (32 to 104° F)
Storage Temperature:	-20~60° C (-4 to 140° F)
Humidity:	0~80% RH non-condensing
Power Supply	DC 5V, 2.5A Adapter

Resolution

2048 x 1536 @ 85Hz

Connections

Computer Ports	2 Port	4 Port
Keyboard, Monitor & Mouse	2 sets: HD 15 pin Female, embedded Video, Keyboard & Mouse	4 sets: HD 15 pin Female, embedded Video, Keyboard & Mouse
Speaker	2 sets: 3.5 mm audio jack	4 sets: 3.5 mm audio jack
Microphone	2 sets: 3.5 mm audio jack	4 sets: 3.5 mm audio jack

Console Ports

Monitor	1 set: HD 15 pin Female	1 set: HD 15 pin Female
Keyboard	1 set: USB A-type*	1 set: USB A-type*
Mouse	1 set: USB A-type*	1 set: USB A-type*
Switch	2 sets: USB A-type*	2 sets: USB A-type*
Speaker	1 set: 3.5 mm audio jack	1 set: 3.5 mm audio jack
Microphone	1 set: 3.5 mm audio jack	1 set: 3.5 mm audio jack

* USB 1.1 or 2.0 depending on switch model

© Copyright 2000. All rights reserved.

Daxten, the Daxten logo, SCOUTusb and The Brains Behind KVM Switching and Sharing are trademarks of Daxten Industries. All other trademarks acknowledged.

Revision 1.2



SCOUTusb

Introduction

Thank you for purchasing the SCOUTusb Switch. This product will ensure easy and accurate control over 2 - 4 PCs through a single console. The SCOUTusb is compatible with USB style computers. The SCOUTusb supports high resolutions of up to 2048 x 1536 without any deterioration of the image quality. Switching between PCs can be accomplished in two ways: through keyboard Hot Key commands or by using the convenient front panel PC selection buttons.

Product Features

- Allows a user to control 2 - 4 computers from one console.
- No additional software is required for operation.
- Built in Speaker and Microphone sockets
- Flash upgradeable firmware
- The [CAPS LOCK], [SCROLL LOCK] and [NUM LOCK] status is stored for each computer
- Supports Monitor resolutions of up to 2048 x 1536 @ 85Hz.
- Transfer speed for SCOUTusb 1.1: 12Mbit/s
- Transfer speed for SCOUTusb 2.0: 480 Mbit/s
- Supports VGA, SVGA and MultiSync monitors.
- Select Push-button or keyboard Hot Key control.
- Comes with Auto-Scan mode for convenient automatic switching.
- Front panel status LEDs give a clear indication of the active PC.

Flash Upgrade

Flash upgradeable firmware allows you to obtain the latest firmware upgrades for your switch. This allows you to maintain compatibility with the latest devices and computers. Firmware upgrades are available for download at www.daxten.com.

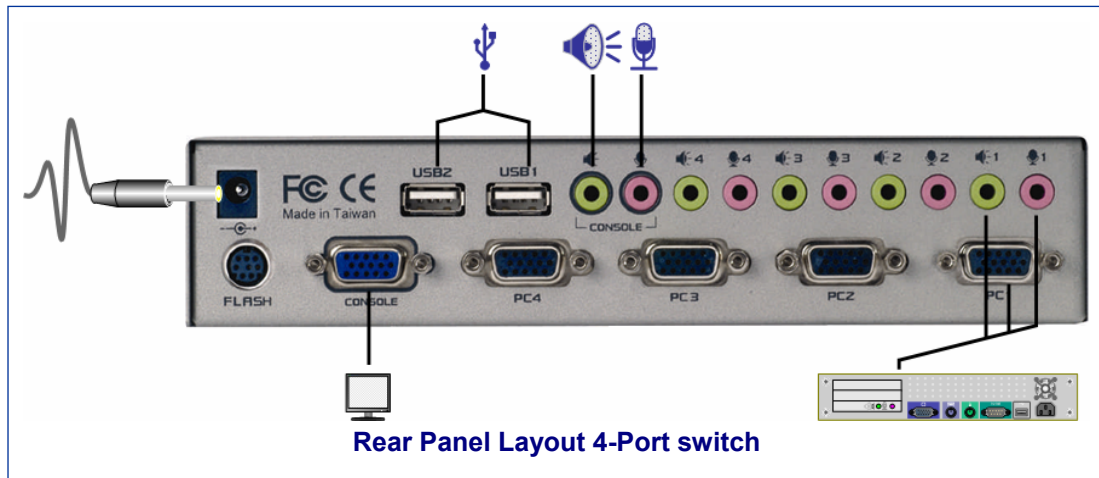
Hardware Installation

Before connecting your computers and console devices to the SCOUTusb switch, please ensure that all devices are powered off. Connecting devices while powered on may lead to damage to your computers or the SCOUTusb. Daxten cannot be held responsible for damage caused by connecting devices that are powered.

1. Place the SCOUTusb switch in a convenient location; its small size makes it easy to place it on the desktop.
 - 1.1. Connect the power supply to the SCOUTusb.
2. Connecting the console devices:
 - 2.1. Connect your monitor's HD 15-pin connector to the SCOUTusb's Monitor 'CONSOLE' port on the rear panel.
 - 2.2. Connect your USB keyboard and USB mouse to the USB ports at the front of the SCOUTusb switch. Each port is marked with either a keyboard or mouse symbol. (Please ensure you have device drivers for your keyboard and mouse (HID) loaded on your computer if required)
 - 2.3. Connect your speaker's audio jack to the SCOUTusb's Speaker Console port on the rear panel.
 - 2.4. Connect your microphones audio jack to the SCOUTusb's Microphone Console port on the rear panel.
3. Connecting the computers to the SCOUTusb with the KVM cable:
 - 3.1. Connect the HD 15-pin male connector to the next free PC port on the rear panel of the SCOUTusb (labelled PC1, PC2...).
 - 3.2. Connect the blue HD 15-pin male connector to the VGA port on your computer.
 - 3.3. Connect the USB connector to a USB port on your computer.
 - 3.4. Connect the green audio jack to the speaker port on your computer.
 - 3.5. Connect the pink audio jack to the microphone port on your computer.

Power up the first computer, and then verify keyboard and mouse functionality. Repeat this process for each of the attached computers.

If you find that the keyboard or mouse is not working correctly please verify that all cables are properly connected, and that the HID drivers are loaded on the computer.



Using the SCOUTusb

The SCOUTusb provides two methods to select the desired computer. You may use either the Select button on the unit, or make use of the keyboard Hot Key commands.

You may notice that the mouse cannot be used for around 2 seconds when the SCOUTusb switches to another computer. This is normal and is caused by the synchronization process which ensures that the mouse operates correctly.

Selection buttons

2 Port: Pressing the Select button on the front panel cycles through computers 1 ~ 2.

4 Port: Pressing the individual PC buttons will switch the signal to the desired computer.

Keyboard Hot Key commands

To send Hot Key commands to the SCOUTusb switch, press and release **Ctrl** **Ctrl** within 2 seconds. Press a command key for the desired effect. The following commands are supported:

First Key	Second Key	Command Key	Command Result
Ctrl	Ctrl	C 1 , C 2 , C 3 or C 4	Switches to the desired PC
Ctrl	Ctrl	H 1 , H 2 , H 3 or H 4	Switches the hub to the desired PC
Ctrl	Ctrl	A 1 , A 2 , A 3 or A 4	Switches all to the desired PC
Ctrl	Ctrl	↑	Switch to previous PC
Ctrl	Ctrl	↓	Switch to next PC
Ctrl	Ctrl	S	Toggle Sound ON / OFF
Ctrl	Ctrl	0	Toggle Auto-Scan mode ON / OFF

Note: Directly select Channel or Hub. For example, if you press:

Ctrl **Ctrl** **C 2**, means the Channel on the port 2 not the Hub
Ctrl **Ctrl** **H 2**, means the Hub on the port 2 not the Channel
Ctrl **Ctrl** **A 2**, means all, Channel and Hub

In Auto-Scan mode, the image shown on the monitor will automatically switch to the next computer. The delay is user definable (see Table above). After the last computer has been shown, the first computer will be shown again.

Note: In this mode there is no mouse or keyboard control.

Press any key to exit the Auto-Scan mode. The SCOUTusb switch will stop at the last PC shown.

The Hot Key sequence can be changed if required. To change from the factory default of **Ctrl** **Ctrl**, please use the following sequence:

[OLD HOT KEY] [NEW HOT KEY]

for example: **Ctrl** **Ctrl** **Scroll Lock** **Scroll Lock**
New Hot Key: Scroll Lock Scroll Lock

The following combinations are available for Hot Keys:

Ctrl **Ctrl** (default) **Alt** **Alt** **Scroll Lock** **Scroll Lock** **Shift** **Shift**

Built-in 2-Port Hub

Attaching any USB device to the 2-Port hub, that device will be automatically switched as you Switch PCs.

Service Information

Technical Support

If you cannot determine the nature of a problem, please call Daxten and ask for Technical Support. If possible, call from a phone located near the unit, as we may be able to solve your problem directly over the phone. If we cannot solve your problem, and determine that the fault is in the unit, we will issue a Return Material Authorisation (RMA) number that must appear on the outside of all returned products. The unit should be double-packed in the original container, insured, and shipped to the address given to you by our Technical Support representative. The Technical Support offices are found on the back of this manual.

Limited Warranty

Daxten warrants to the end user that this product is and will be free from defects in materials and workmanship for a period of 24 months from the date of purchase. If during the warranty period the product should fail, the purchaser must promptly call Daxten for a RETURN MATERIALS AUTHORIZATION (RMA) number. Make sure that the RMA number appears on the packing slip, proof of purchase, AND ON THE OUTSIDE OF EACH SHIPPING CARTON. Unauthorized returns or collect shipments will be refused.

Ship prepaid to the Daxten office (see back page) where you purchased your product. The above limited warranty is voided by occurrence of any of the following events, upon which the product is provided as is, with all faults, and with all disclaimers of warranty identified below:

1. If non-Daxten approved power supply or cabling is attached to the product.
2. If defect or malfunction was caused by abuse, mishandling, unauthorized repair, or use other than intended.
3. If unauthorized modifications were made to product.
4. If unreported damages occurred in any shipment of the product.
5. If damages were due to or caused by equipment or software not provided by Daxten.
6. If the product is used with non-grounded or incorrectly polarized AC power.
7. If the product is used in contradiction to any instruction provided by any User Guide or Instruction Sheet provided to you or with the product.

EXCEPT AS SPECIFICALLY PROVIDED ABOVE AND TO THE MAXIMUM EXTENT ALLOWED BY LAW, DAXTEN DISCLAIMS ALL WARRANTIES AND CONDITIONS WHETHER EXPRESS, IMPLIED, OR STATUTORY AS TO ANY MATTER WHATSOEVER INCLUDING, WITHOUT LIMITATION, TITLE, NON-INFRINGEMENT, CONDITION, MERCHANTABILITY OR FITNESS FOR ANY PARTICULAR OR INTENDED PURPOSE.

EXCEPT AS EXPRESSLY PROVIDED ABOVE AND TO THE MAXIMUM EXTENT ALLOWED BY LAW, DAXTEN SHALL NOT BE LIABLE FOR ANY SPECIAL, INDIRECT OR CONSEQUENTIAL DAMAGES (INCLUDING WITHOUT LIMITATION, LOSS OF PROFIT, LOSS OF BUSINESS, LOSS OF INFORMATION, FINANCIAL LOSS, PERSONAL INJURY, LOSS OF PRIVACY OR NEGLIGENCE) WHICH MAY BE CAUSED BY OR RELATED TO, DIRECTLY OR INDIRECTLY, THE USE OF A PRODUCT OR SERVICE, THE INABILITY TO USE A PRODUCT OR SERVICE, INADEQUACY OF A PRODUCT OR SERVICE FOR ANY PURPOSE OR USE THEREOF OR BY ANY DEFECT OR DEFICIENCY THEREIN EVEN IF DAXTEN OR AN AUTHORIZED DAXTEN DEALER HAS BEEN ADVISED OF THE POSSIBILITY OF SUCH DAMAGES OR LOSSES.

Waste Electrical and Electronic Equipment (WEEE)



Within the European this symbol indicates that this product should not be disposed in household waste. It should be deposited at an appropriate facility to enable recovery and recycling. For information on how to recycle this product, please check with the reseller of the product that replaces this product "Take Back" or the original seller of this product.





DAXTEN®

THE BRAINS BEHIND
KVM SWITCHING & SHARING

www.daxten.com

Ireland

Bay 21
Free Zone West
Shannon, Co. Clare
info.ie@daxten.com
www.daxten.ie
Tel: +353 (0) 61 23 4000
Fax: +353 (0) 61 23 4099



Österreich

Künstlergasse 11/4
A-1150 Wien
info.at@daxten.com
www.daxten.at
Tel: +43 (0)1 879 77 65
Fax: +43 (0)1 879 77 65 30



España

C/Florian Rey, 8
50002 Zaragoza
info.es@daxten.com
www.daxten.com.es
Tel: +34 902 197 662
Fax: +34 976 201 633



USA

811 W. Evergreen Ave
Suite 302A
Chicago, IL 60622
info.us@daxten.com
www.daxten.us
Tel: +1 312 475 0795
Fax: +1 312 475 0797



Deutschland

Salzufer 16, Geb. B
10587 Berlin
info.de@daxten.com
www.daxten.de
Tel: +49 (0) 30 8595 37-0
Fax: +49 (0) 30 8595 37-99



Sweden

info.se@daxten.com
www.daxten.se



Denmark

info.dk@daxten.com
www.daxten.dk



United Kingdom

5 Manhattan Business Park
Westgate
London W5 1UP
info.uk@daxten.com
www.daxten.co.uk
Tel: +44 (0) 20 8991 6200
Fax: +44 (0) 20 8991 6299



Schweiz

Seebahnstr. 231
8004 Zürich
info.ch@daxten.com
www.daxten.ch
Tel: +41 (0) 43 243 32 11
Fax: +41 (0) 43 243 32 16



France

B.P 04 - 77
Route de Cheptainville
91630 Marolles-en-Hurepoix
info.fr@daxten.com
www.daxten.fr
Tel: +33 (0)1 64 56 09 33
Fax: +33 (0)1 69 14 88 34

