



Monitor Splitter

Installation guide



Specifications

Package Contents

	1020-02EK	1020-04EK	1020-08EK
	1 x 2 port Splitter	1 x 4 port Splitter	1 x 8 port Splitter
	1 x Power Adaptor Cable	1 x Power Adaptor Cable	1 x Power Adaptor Cable
	1 x High Resolution Video Cable	1 x High Resolution Video Cable	1 x High Resolution Video Cable

Properties

	1020-02EK	1020-04EK	1020-08EK
Height	2.5 cm (0.9")	2.5 cm (0.9")	4.2 cm (1.6")
Width	16.0 cm (6.3")	16.0 cm (6.3")	16.0 cm (6.3")
Depth	6.4 cm (2.5")	6.4 cm (2.5")	6.4 cm (2.5")
Weight	0.35 kg (0.77 lb)	0.35 kg (0.77 lb)	0.45 kg (0.99 lb)

Connections

	1020-02EK	1020-04EK	1020-08EK
Input	1 x HD 15 pin Female	1 x HD 15 pin Female	1 x HD 15 pin Female
Output	2 x HD 15 pin Female	4x HD 15 pin Female	8 x HD 15 pin Female
Power	1 x Socket	1 x Socket	1 x Socket

Power

	1020-02EK	1020-04EK	1020-08EK
	5V 60mA	5V 60mA	5V 150mA

Optionally available with 9v power input

Max Resolution

	1020-02EK	1020-04EK	1020-08EK
	1600 x 1200	1600 x 1200	1280 x 1024

Transmission

	1020-02EK	1020-04EK	1020-08EK
PC to Splitter	15m (50ft)	15m (50ft)	15m (50ft)
Splitter to Monitor	100m (330ft)	50m (165ft)	50m (165ft)

Distances quoted are the maximum distances recommended, depending on Video Resolution and cable quality

Specifications

I/O Interface	TTL Compatible: Vertical Sync & Horizontal Sync Analog Signal: Red, Green, Blue Video
I/O Video Signal	TTL Level Positive Analog 0.7 Vp-P/75Ω Positive
I/O Sync Signal	Separate sync: TTL Level Horizontal sync: Positive/Negative Vertical sync: Positive/Negative Composite sync: TTL Level Positive/Negative Sync on Green: 0.3 Vp-p Negative (Video 0.7 Vp-p Positive)
Frequency	Horizontal: 30-100kHz Vertical: 43-120Hz
Video Bandwidth	400MHz

Operation and Storage parameters

Operating Temperature:	0~40° C (32 to 104° F)
Humidity:	0~80% RH non-condensing
Storage Temperature:	-20~60° C (-4 to 140° F)

Optional Extension Cables

2051-02T	1.8 meter High Resolution Video Extension Cable
2051-03T	3 meter High Resolution Video Extension Cable
2051-05M	5 meter High Resolution Video Extension Cable
2051-07M	7.5 meter High Resolution Video Extension Cable
2051-10M	10 meter High Resolution Video Extension Cable
2051-15M	15 meter High Resolution Video Extension Cable
2051-30M	30 meter High Resolution Video Extension Cable
2051-75M	75 meter High Resolution Video Extension Cable

Optional Power Adaptors & Power Transformers

9020-00A	P/S2 Power Adaptor Cable
9020-00B	USB Power Adaptor Cable
9014-00A	5v Power Transformer
9014-00A	9v Power Transformer

Optional Video Adaptors

2151-00D	HD15 – SUN 13W3
2151-00J	HD15 – MAC DB15
2151-00K	HD15 – DVI

Optional 19” Rack Mount

1034-00A	Rack Mount Kit (2 & 4 port only)
----------	----------------------------------

© Copyright 2005. All rights reserved.

Daxten, the Daxten logo, SplitterE and The Brains Behind KVM Switching and Sharing are trademarks of Daxten Industries.
All other trademarks acknowledged.

Revision 1.1



Monitor Splitter

Introduction:

Thank you for purchasing the Monitor Splitter. This product will allow you to duplicate your computers video image on to multiple monitors.

Product Features

- Works with any 15 pin monitor (VGA, SVGA, XVGA Multi sync)
- Compact Low Maintenance Monitor Splitter
- Single DDC Compatible output port.
- Unique power adaptor included with 2 and 4 port.
- Fully automatic - no external switches
- Standard version available in 2, 4 and 8 port models
- Premium Micro High Bandwidth 2 port version available.
- Fully shielded high quality premium coax cable available for extended distances.

Hardware Installation

Using the High Quality cable provided, connect it to your PC's Video port and the other end of the cable to the Monitor Splitter's VGA IN port as shown in Figure 1

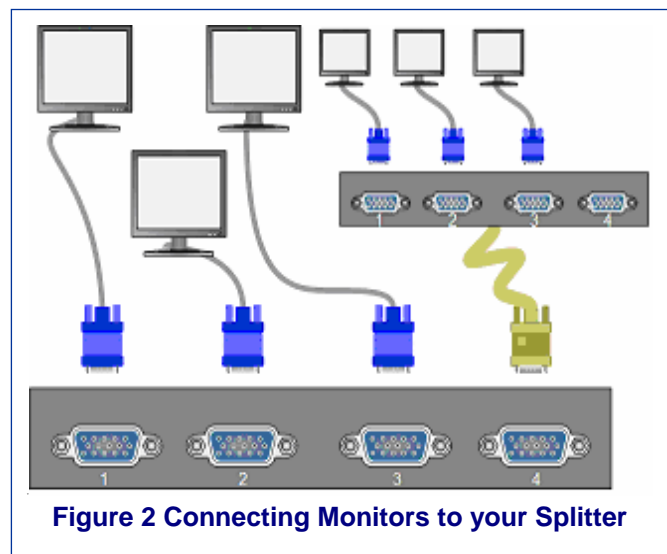
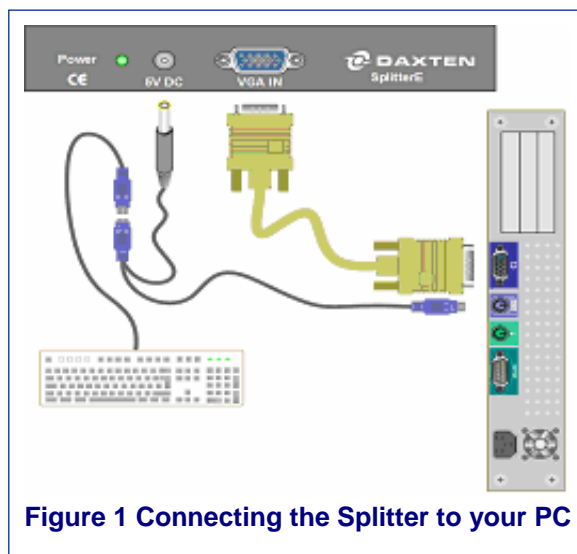
Connect your monitors or projectors directly to the ports on the Monitor Splitter marked 1, 2, etc., as shown in Figure 2

Power to the monitor splitter (2 and 4 port) is supplied by a pass through PS/2 Keyboard power adaptor as shown Figure 1.

Daisy Chaining

Its possible to daisy chain the monitor splitter to increase the number of screens displayed from a single source. Any of the splitters can be daisy chained with each other.

Note: With each additional cascaded level there will some loss of video quality.



Note: Some computers restrict the power output from the PS/2 keyboard ports, in which case you must use a conventional power transformer, as listed in the optional items.

Service Information

Technical Support

If you cannot determine the nature of a problem, please call Daxten and ask for Technical Support. If possible, call from a phone located near the unit, as we may be able to solve your problem directly over the phone. If we cannot solve your problem, and determine that the fault is in the unit, we will issue a Return Material Authorisation (RMA) number that must appear on the outside of all returned products. The unit should be double-packed in the original container, insured, and shipped to the address given to you by our Technical Support representative. The Technical Support offices are found on the back of this manual.

Limited Warranty

Daxten warrants to the end user that this product is and will be free from defects in materials and workmanship for a period of 24 months from the date of purchase. If during the warranty period the product should fail, the purchaser must promptly call Daxten for a RETURN MATERIALS AUTHORIZATION (RMA) number. Make sure that the RMA number appears on the packing slip, proof of purchase, AND ON THE OUTSIDE OF EACH SHIPPING CARTON. Unauthorized returns or collect shipments will be refused.

Ship prepaid to the Daxten office (see back page) where you purchased your product. The above limited warranty is voided by occurrence of any of the following events, upon which the product is provided as is, with all faults, and with all disclaimers of warranty identified below:

1. If non-Daxten approved power supply or cabling is attached to the product.
2. If defect or malfunction was caused by abuse, mishandling, unauthorized repair, or use other than intended.
3. If unauthorized modifications were made to product.
4. If unreported damages occurred in any shipment of the product.
5. If damages were due to or caused by equipment or software not provided by Daxten.
6. If the product is used with non-grounded or incorrectly polarized AC power.
7. If the product is used in contradiction to any instruction provided by any User Guide or Instruction Sheet provided to you or with the product.

EXCEPT AS SPECIFICALLY PROVIDED ABOVE AND TO THE MAXIMUM EXTENT ALLOWED BY LAW, DAXTEN DISCLAIMS ALL WARRANTIES AND CONDITIONS WHETHER EXPRESS, IMPLIED, OR STATUTORY AS TO ANY MATTER WHATSOEVER INCLUDING, WITHOUT LIMITATION, TITLE, NON-INFRINGEMENT, CONDITION, MERCHANTABILITY OR FITNESS FOR ANY PARTICULAR OR INTENDED PURPOSE.

EXCEPT AS EXPRESSLY PROVIDED ABOVE AND TO THE MAXIMUM EXTENT ALLOWED BY LAW, DAXTEN SHALL NOT BE LIABLE FOR ANY SPECIAL, INDIRECT OR CONSEQUENTIAL DAMAGES (INCLUDING WITHOUT LIMITATION, LOSS OF PROFIT, LOSS OF BUSINESS, LOSS OF INFORMATION, FINANCIAL LOSS, PERSONAL INJURY, LOSS OF PRIVACY OR NEGLIGENCE) WHICH MAY BE CAUSED BY OR RELATED TO, DIRECTLY OR INDIRECTLY, THE USE OF A PRODUCT OR SERVICE, THE INABILITY TO USE A PRODUCT OR SERVICE, INADEQUACY OF A PRODUCT OR SERVICE FOR ANY PURPOSE OR USE THEREOF OR BY ANY DEFECT OR DEFICIENCY THEREIN EVEN IF DAXTEN OR AN AUTHORIZED DAXTEN DEALER HAS BEEN ADVISED OF THE POSSIBILITY OF SUCH DAMAGES OR LOSSES.

Waste Electrical and Electronic Equipment (WEEE)



Within the European this symbol indicates that this product should not be disposed in household waste. It should be deposited at an appropriate facility to enable recovery and recycling. For information on how to recycle this product, please check with the reseller of the product that replaces this product "Take Back" or the original seller of this product.





DAXTEN®

THE BRAINS BEHIND
KVM SWITCHING & SHARING

www.daxten.com

Ireland

Unit 5 Distribution Centre
Shannon Free Zone
Shannon, Co. Clare
info.ie@daxten.com
www.daxten.ie
Tel: +353 (0) 61 23 4000
Fax: +353 (0) 61 23 4099

Österreich

Künstlergasse 11/4
A-1150 Wien
info.at@daxten.com
www.daxten.at
Tel: +43 (0)1 879 77 65
Fax: +43 (0)1 879 77 65 30

España

C/Florian Rey, 8
50002 Zaragoza
info.es@daxten.com
www.daxten.com.es
Tel: +34 902 197 662
Fax: +34 976 201 633

USA

811 W. Evergreen Ave
Suite 302A
Chicago, IL 60622
info.us@daxten.com
www.daxten.us
Tel: +1 312 475 0795
Fax: +1 312 475 0797

Deutschland

Salzufer 16, Geb. B
10587 Berlin
info.de@daxten.com
www.daxten.de
Tel: +49 (0) 30 8595 37-0
Fax: +49 (0) 30 8595 37-99

France

B.P 04 - 77
Route de Cheptainville
91630 Marolles-en-Hurepoix
info.fr@daxten.com
www.daxten.fr
Tel: +33 (0)1 64 56 09 33
Fax: +33 (0)1 69 14 88 34

Sweden

Solna Strandväg 78
171 54 Solna
info.se@daxten.com
www.daxten.se
Tel: +46 (8) 602 82 50
Fax: +46 (8) 602 82 85

United Kingdom

5 Manhattan Business Park
Westgate
London W5 1UP
info.uk@daxten.com
www.daxten.co.uk
Tel: +44 (0) 20 8991 6200
Fax: +44 (0) 20 8991 6299

Schweiz

Seebahnstr. 231
8004 Zürich
info.ch@daxten.com
www.daxten.ch
Tel: +41 (0) 43 243 32 11
Fax: +41 (0) 43 243 32 16

Denmark

Finlandsgade 33
8200 Aarhus N.
info.dk@daxten.com
www.daxten.dk
Tel: +45 7022 5411
Fax: +45 8739 4618