

CyberView

minimum rack space, maximum control.

S117/119 SERIES

LCD Keyboard Drawer

And Optional Integrated KVM
(Keyboard, Video & Mouse) Switch

DIRECT SUPPORT SUN
MICRO NATIVE RESOLUTION
1152 X 900



SUN KEYS

3-BUTTON TRACKBALL

PRODUCT FEATURES & BENEFITS

SUN Microsystems compatible

The LCD screen will sync with most SUN resolution including 1152 x 900 @ 66 or 76Hz 17" / 19" TFT LCD Screen

Available in 2 LCD screen sizes, all in a 1U unit

Built in on screen display controlled by integral membrane switches

Allows adjustment of color, contrast, brightness, H Position, V position, Auto Configure, OSD, etc

Unique modular mechanical design

Allows easy component level replacement and provides a KVM migration path

Extended Slide rails provide clearance distance between rack panel mounts and the rear of the LCD Screen

Allows protruding equipment i.e. servers and patch panels to be mounted directly above the drawer, without interference

Slide rails have two friction stops to prevent movement of the keyboard

Allowing comfortable working on unit while maintaining safety

Available with notebook keyboard and either trackball or touchpad mouse

FULL SUN Microsystems Keyboard Including Stop, Cut, Paste, Compose etc

All mounting hardware included

Allows simple, quick and secure installation

WITH KVM SWITCH:-

8 or 16 Port KVM

USB KVM switch options, cascade able up to 128 servers

Built in integral KVM membrane switch Allows user to chose server selection via membrane button or 'hot' keys via OSD Multiplatform

Provides instant switching between PC's, SUN's, IBM's, HP's, Compaq, and DELL platforms

Stay Alive Feature

Safeguards server for power loss to switch

Access Password Security

Supports eight character password protection and search feature for specific PC or server name

Auto Scan Mode

Monitor your servers at intervals 5-99 seconds, set by user

Supplied with 8 x 6 C series KVM connecting cables

Supports good rear cable management via the use of 8 x 3 in 1 KVM Cables



THE CYBERVIEW SOLUTION...



CyberView offers its users a flexible, space saving, cost effective method of managing multiple servers from a single unit, either locally within the data centre, or remotely via the World Wide Web using secure IP access.

CyberView is available in 1U and 2U height options, depths include 440mm for 600 deep racks or 650mm for 800 deep racks, with complete unit configuration flexibility of simply LCD drawer, Keyboard drawer, LCD Keyboard Drawer or LCD Keyboard Drawer with KVM (Keyboard, Video and Mouse) switch.

To cater for today's ever demanding working environments and applications CyberView is available in 15, 17 or 19" LCD screens with a wide selection of keyboard layouts and languages, including vendor application specific units i.e. full SUN Microsystems Solaris v10 compatibility when using our S Series solutions.



Austin Hughes
Europe

©Austin Hughes Europe Limited 2005, All Rights Reserved.



S117/119 SERIES

LCD Keyboard Drawer

And Optional Integrated KVM
(Keyboard, Video & Mouse) Switch



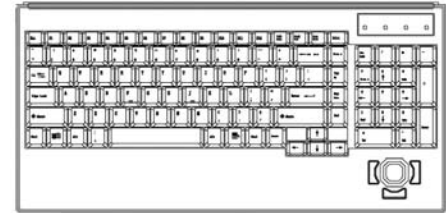
**SUN MICROSYSTEMS
COMPATIBLE**

KEYBOARDS

Supporting Layouts 

104 KEY SUN KEYBOARD

with 3 button trackball mouse and SUN keys Including Stop, Cut, Paste, Compose Etc.



KVM SPECIFICATION

MODEL NUMBER	-S801	-S801		-IPS802 / -IPS1602
		Local Console	CAT.5 Remote Console	-----
PC PORTS	8 / 16	8 / 16	N/A	8 / 16
CONSOLE PORTS	1	1	1	1
PC SELECTION	On Screen Disp. / Hot Keys / Push Button	On Screen Display Menu / Hot Keys / Push Button		On Screen Display Menu
LED	1 Bank LED	1 Bank LED	1 Power LED Green	1 Bank LED
	8/16 Online LED Green	8/16 Online LED Green	1 Status LED Red	8/16 Online LED Green
	8/16 Selected LED Red	8/16 Selected LED Red	-----	8/16 Selected LED Red
OSD CONTROL	Yes	Yes		Yes
SCAN INTERVALS	5 - 99 Seconds	5 - 99 Seconds		5 - 99 Seconds
KEYBOARD & MOUSE EM.	PS/2 or USB	PS/2 or USB		PS/2 or USB
VGA RESOLUTION (MAX.)	1920 x 1440	1920 x 1440	1600 x 1200	Local 1600x1200, Remote 1280x1024
CAT.5 CABLE LENGTH (MAX)	N/A	N/A	1000 feet	-----
BANDWIDTH	200MHz	200MHz	150MHz	200MHz
CASCADE LEVEL	8 levels	8 levels		8 Levels
PC CONNECTIONS (MAX)	120/128	120/128		120/128
LOCAL CONSOLE PORTS	-----	-----	-----	1
REMOTE CONSOLE PORTS	-----	-----	-----	1
REM. CONSOLE CONNECTOR	-----	-----	-----	RJ45 8P8C
SERIAL PORT	-----	-----	-----	1
REMOTE WEB BASED ACCESS	-----	-----	-----	Internet, LAN/WAN, Dial Up Modem
REMOTE BROWSER SUPPORT	-----	-----	-----	Microsoft IE, Netscape Navigator, Mozilla
DATA ENCRYPTED	-----	-----	-----	Secure Socket layer SSL v2 / 23

SIZE SPECIFICATION

UNIT TYPE	15" UNIT	17" UNIT	19" UNIT	20" UNIT
UNIT DIMENSIONS (CM)	-----	44.2 x 4.45 x 60	44.2 x 4.45 x 65	-----
PACKAGED DIMENSIONS (CM)	-----	60 x 18 x 76	60 x 18 x 84	-----
UNIT WEIGHT (KG)	-----	16	17	-----
PACKAGED WEIGHT (KG)	-----	22	23	-----

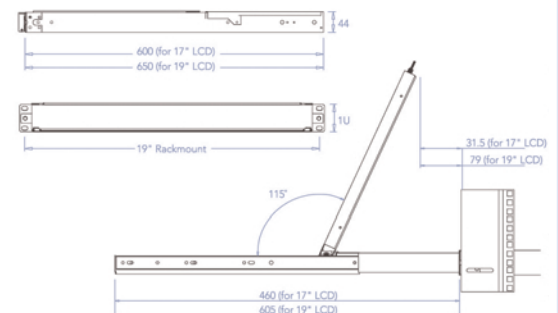
POWER SUPPLY

REMOTE ADAPTER	110V-220V AC Input - 12V 5A Output
ADAPTER SIZE	10.8(L) x 6.1 (W) x 3(H) cm
CABLE LENGTH (MAINS TO ADAPTER)	182cm
CABLE LENGTH (ADAPTER TO UNIT)	180cm
SAFETY APPROVAL	UL / CE

OPTIONS AVAILABLE:



NOTE: Technical Information.
All information contained in this information sheet was correct at the time of going to press. Images are used for illustration purposes and are subject to change at the manufacturers discretion. E&OE.



Unit : mm