

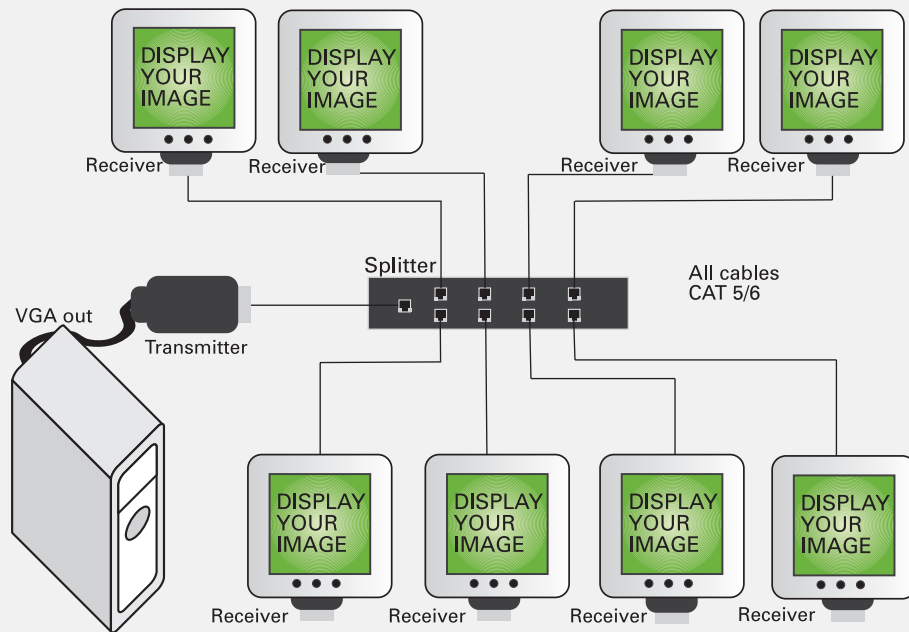
SHOW WHAT YOU HAVE!



DisplayIt is a VGA Splitter over CAT 5 cabling. It shows the image from a computer on multiple monitors up to 125m. Virtually unlimited monitors can be added through additional cascascadable 8 port Line Splitters.

- ▶ VGA Splitter over CAT 5 / 6 cabling
- ▶ Cascadable with 8 port Line Splitters
- ▶ Easy to install
- ▶ Max. distance from computer to monitor 125m
- ▶ Possibilities of use:
 - ▶ Digital signs in production facilities, supermarkets, stores, transportation areas such as airports, stations etc.

DisplayIt - VGA Splitter



Distribution of VGA Signals to multiple monitors

DisplayIt is composed of a transmitter and a receiver unit. The transmitter unit is connected to the HD15 video port at the computer and the receiver unit to the HD15 port of the remote monitor. Both units are connected through CAT 5 / 6 cables up to 125m. If more than two monitors are needed, a cascable 8 Port Line Splitter can be connected. The receiver is available as a dual receiver version to connect two monitors to one receiver to save cost and reduce cabling.

Technical Specifications

- ▶ Connectors:
Transmitter / Receiver - HD15
Line Splitter - RJ45
- ▶ Max. Resolution up to 1600 x 1200, depending on distance
- ▶ When using a Line Splitter, power supplies are not necessary on the remote side
- ▶ Video signals: Analogue Signal Red, Green, Blue, 0.7v p-p 75 Ohm
- ▶ Operating Temperature: 5°C bis 40°C
- ▶ Storage Temperature: -40°C bis 70°Cs

Daxten LLC

811 W. Evergreen Ave
Suite 302A
Chicago, IL 60622
Tel: (312) 475 0795
Fax: (312) 475 0797
info.us@daxten.com

Part No.

1025-101K	DisplayIt Single Screen Kit
1025-102K	DisplayIt Dual Screen Kit
1025-108	DisplayIt 8 port Line Splitter
1025-101T	DisplayIt Transmitter
1025-101R	DisplayIt Single Screen Receiver
1025-102R	DisplayIt Dual Screen Receiver